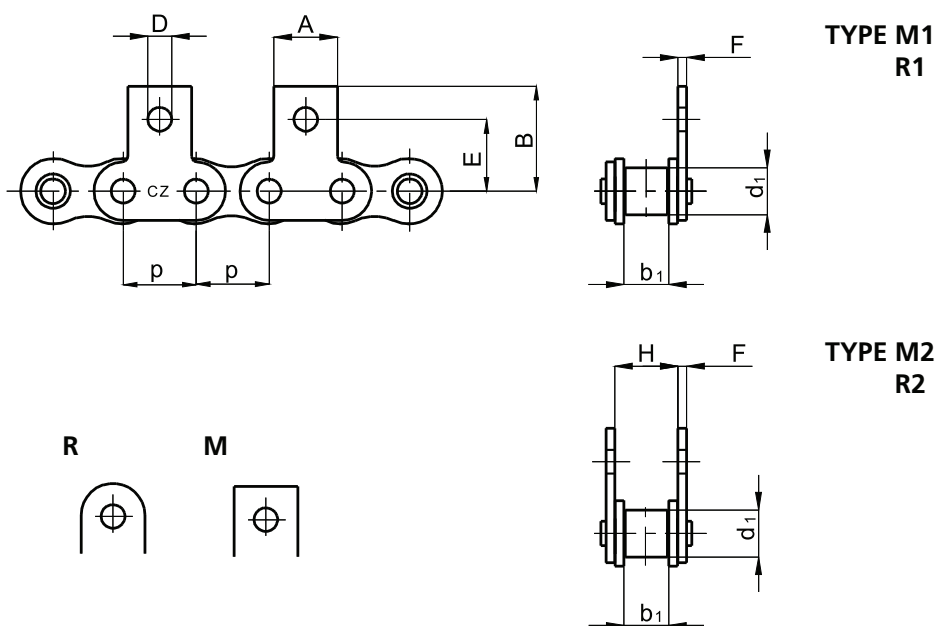


SIMPLEX ROLLER CHAINS WITH ATTACHMENTS M1, R1, M2, R2



According to ČSN 02 3312

| ČSN | PITCH | INSIDE WIDTH | ROLLER DIAMETER | DIMENSION | DIMENSION | ATTACHMENT HOLE DIAMETER | DIMENSION | DIMENSION | ATTACHMENT PLATE THICKNESS | WEIGHT | BREAKING LOAD |
|-----------|--------|--------------|-----------------|-----------|-----------|--------------------------|-----------|-----------|----------------------------|--------|---------------|
| | p | b1 min. | d1 max. | A | B | D | E | H | F | q | FB min. |
| | mm | mm | mm | mm | mm | mm | mm | mm | mm | kg/m | N |
| 06 B-1 M1 | 9,525 | 5,72 | 6,35 | 8,00 | 13,60 | 3,20 | 9,10 | - | 1,00 | 0,46 | 9 345 |
| 08 B-1 M1 | 12,7 | 7,75 | 8,51 | 11,50 | 19,00 | 4,30 | 13,00 | - | 1,40 | 0,79 | 18 690 |
| 10 B-1 M1 | 15,875 | 9,65 | 10,16 | 14,00 | 24,00 | 5,30 | 16,00 | - | 1,50 | 1,04 | 23 310 |
| 12 B-1 M1 | 19,05 | 11,68 | 12,07 | 17,00 | 30,00 | 6,40 | 21,00 | - | 1,80 | 1,39 | 30 345 |
| 12 B-1 R1 | 19,05 | 11,68 | 12,07 | 20,00 | 33,00 | 6,40 | 23,00 | - | 2,00 | 1,43 | 30 345 |
| 16 B-1 R1 | 25,4 | 17,02 | 15,88 | 25,00 | 43,00 | 8,40 | 30,50 | - | 3,00 | 3,06 | 65 000 |
| 06 B-1 M2 | 9,525 | 5,72 | 6,35 | 8,00 | 13,60 | 3,20 | 9,10 | 8,75 | 1,00 | 0,51 | 9 345 |
| 08 B-1 M2 | 12,7 | 7,75 | 8,51 | 11,50 | 19,00 | 4,30 | 13,00 | 11,50 | 1,40 | 0,87 | 18 690 |
| 10 B-1 M2 | 15,875 | 9,65 | 10,16 | 14,00 | 24,00 | 5,30 | 16,00 | 13,50 | 1,50 | 1,13 | 23 310 |
| 12 B-1 M2 | 19,05 | 11,68 | 12,07 | 17,00 | 30,00 | 6,40 | 21,00 | 15,80 | 1,80 | 1,53 | 30 345 |
| 12 B-1 R2 | 19,05 | 11,68 | 12,07 | 20,00 | 33,00 | 6,40 | 23,00 | 15,80 | 2,00 | 1,63 | 30 345 |
| 16 B-1 R2 | 25,4 | 17,02 | 15,88 | 25,00 | 43,00 | 8,40 | 30,50 | 25,80 | 3,00 | 3,44 | 65 000 |

The plates M1, R1, M2, R2 position must be consulted with producer

SIMPLEX ROLLER CHAINS WITH ATTACHMENTS M1, R1, M2, R2

ČZ Standard

| TRADE MARK ČZ | PITCH | INSIDE WIDTH | ROLLER DIAMETER (BUSH) | DIMENSION | DIMENSION | ATTACHMENT HOLE DIAMETER | DIMENSION | DIMENSION | ATTACHMENT PLATE THICKNESS | WEIGHT | BREAKING LOAD |
|--------------------|--------|--------------|------------------------|-----------|-----------|--------------------------|-----------|-----------|----------------------------|--------|---------------|
| | p | b1 min. | d1 max. | A | B | D | E | H | F | q | FB min. |
| | mm | mm | mm | mm | mm | mm | mm | mm | mm | kg/m | N |
| 06 C-1 M1 | 9,525 | 4,77 | 5,08 BUSH | 8,00 | 13,60 | 3,20 | 9,10 | - | 1,00 | 0,38 | 8 000 |
| 081 M1 | 12,7 | 3,30 | 7,75 | 10,50 | 17,10 | 4,10 | 11,10 | - | 1,00 | 0,35 | 8 200 |
| 1/2"x3/16" MOFA M1 | 12,7 | 4,88 | 7,75 | 11,50 | 19,00 | 4,30 | 13,00 | - | 1,40 | 0,58 | 15 750 |
| 1/2"x1/4" MOFA M1 | 12,7 | 6,40 | 7,75 | 11,50 | 19,00 | 4,30 | 13,00 | - | 1,40 | 0,70 | 15 750 |
| 086 M1 | 12,7 | 5,30 | 8,51 | 11,50 | 19,00 | 4,30 | 13,00 | - | 1,40 | 0,79 | 18 690 |
| 10 A-1 M1 | 15,875 | 9,53 | 10,16 | 14,00 | 24,00 | 5,30 | 16,00 | - | 1,60 | 0,84 | 23 310 |
| 16 B-1 M1 | 25,4 | 17,02 | 15,88 | 24,00 | 39,10 | 8,40 | 30,50 | - | 3,00 | 3,13 | 65 000 |
| 081 M2 | 12,7 | 3,30 | 7,75 | 10,50 | 17,10 | 4,10 | 11,10 | 6,00 | 1,00 | 0,39 | 8 200 |
| 1/2"x3/16" MOFA M2 | 12,7 | 4,88 | 7,75 | 11,50 | 19,00 | 4,30 | 13,00 | 8,20 | 1,40 | 0,64 | 15 750 |
| 086 M2 | 12,7 | 5,30 | 8,51 | 11,50 | 19,00 | 4,30 | 13,00 | 9,00 | 1,40 | 0,70 | 18 690 |
| 16 B-1 M2 | 25,4 | 17,02 | 15,88 | 24,00 | 39,10 | 8,40 | 30,50 | 25,80 | 3,00 | 3,38 | 65 000 |

The plates M1, R1, M2, R2 position must be consulted with producer

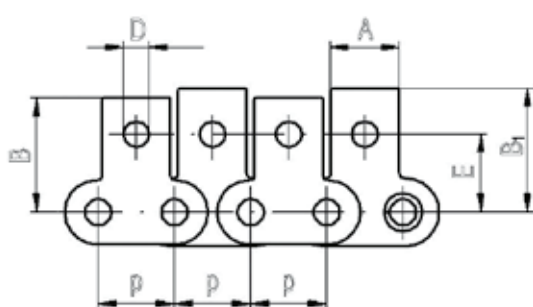
Standard ČZ in stainless steel modification

| TRADE MARK ČZ | PITCH | INSIDE WIDTH | ROLLER DIAMETER | DIMENSION | DIMENSION | ATTACHMENT HOLE DIAMETER | DIMENSION | DIMENSION | ATTACHMENT PLATE THICKNESS | WEIGHT | BREAKING LOAD |
|------------------|--------|--------------|-----------------|-----------|-----------|--------------------------|-----------|-----------|----------------------------|--------|---------------|
| | p | b1 min. | d1 max. | A | B | D | E | H | F | q | FB min. |
| | mm | mm | mm | mm | mm | mm | mm | mm | mm | kg/m | N |
| 06 B-1 M1 | 9,525 | 5,72 | 6,35 | 8,00 | 13,60 | 3,20 | 9,10 | - | 1,00 | 0,46 | 5 350 |
| 08 B-1 M1 | 12,7 | 7,75 | 8,51 | 11,50 | 19,00 | 4,30 | 13,00 | - | 1,40 | 0,79 | 12 000 |
| 10 B-1 M1 | 15,875 | 9,65 | 10,16 | 14,00 | 24,00 | 5,30 | 16,00 | - | 1,50 | 1,04 | 14 200 |
| 12 B-1 M1 | 19,05 | 11,68 | 12,07 | 17,00 | 30,00 | 6,40 | 21,00 | - | 1,80 | 1,39 | 18 000 |
| 06 B-1 M2 | 9,525 | 5,72 | 6,35 | 8,00 | 13,60 | 3,20 | 9,10 | 8,75 | 1,00 | 0,51 | 5 350 |
| 08 B-1 M2 | 12,7 | 7,75 | 8,51 | 11,50 | 19,00 | 4,30 | 13,00 | 11,50 | 1,40 | 0,87 | 12 000 |
| 10 B-1 M2 | 15,875 | 9,65 | 10,16 | 14,00 | 24,00 | 5,30 | 16,00 | 13,50 | 1,50 | 1,13 | 14 200 |
| 12 B-1 M2 | 19,05 | 11,68 | 12,07 | 17,00 | 30,00 | 6,40 | 21,00 | 15,80 | 1,80 | 1,53 | 18 000 |

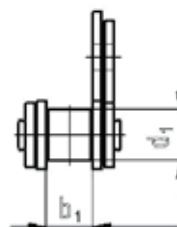
The plates M1, R1, M2, R2 position must be consulted with producer

SIMPLEX ROLLER CHAINS WITH ATTACHMENTS M1, M2 OUTER/INNER ALTERNATING

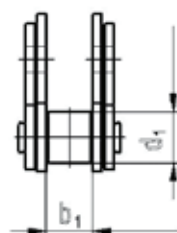
Standard ČZ



TYPE M1

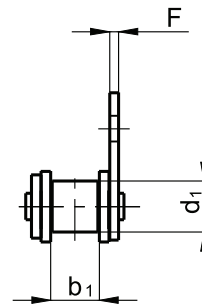
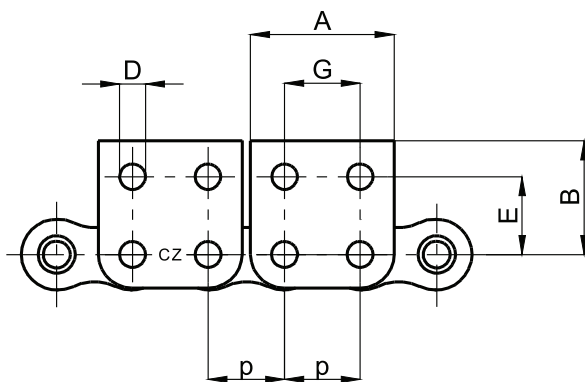


TYPE M2

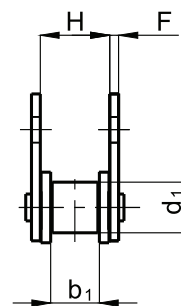


| ČSN | PITCH | INSIDE WIDTH | ROLLER DIAMETER | DIMENSION | DIMENSION | DIMENSION | ATTACHMENT HOLE DIAMETER | DIMENSION | BREAKING LOAD |
|--------|--------|--------------|-----------------|-----------|-----------|-----------|--------------------------|-----------|---------------|
| | p | b1 min. | d1 max. | A | B | B1 | D | E | FB min. |
| | mm | mm | mm | mm | mm | mm | mm | mm | N |
| 08 B-1 | 12,7 | 7,75 | 8,51 | 11,50 | 19,00 | 20,60 | 4,30 | 13,00 | 18 690 |
| 10 B-1 | 15,875 | 9,65 | 10,16 | 14,00 | 24,00 | 25,55 | 5,30 | 16,00 | 23 310 |
| 12 B-1 | 19,05 | 11,68 | 12,07 | 17,00 | 30,00 | 30,00 | 6,40 | 21,00 | 30 345 |

SIMPLEX ROLLER CHAINS WITH ATTACHMENTS M7, M8



TYPE M7



TYPE M8

Standard ČZ in stainless steel modification

| TRADE MARK ČZ | PITCH | INSIDE WIDTH | ROLLER DIAMETER | DIMENSION | DIMENSION | ATTACHMENT HOLE DIAMETER | DIMENSION | DIMENSION | ATTACHMENT PLATE THICKNESS | ATTACHMENT HOLES DISTANCE | WEIGHT | BREAKING LOAD |
|------------------|--------|--------------|-----------------|-----------|-----------|--------------------------|-----------|-----------|----------------------------|---------------------------|--------|---------------|
| | p | b1 min. | d1 max. | A | B | D | E | H | F | G | q | FB min. |
| | mm | mm | mm | mm | mm | mm | mm | mm | mm | mm | kg/m | N |
| 06 B-1 M7 | 9,525 | 5,72 | 6,35 | 17,80 | 12,30 | 3,20 | 9,10 | - | 1,00 | 9,53 | 0,45 | 5 350 |
| 08 B-1 M7 | 12,7 | 7,75 | 8,51 | 24,00 | 19,00 | 4,30 | 13,00 | - | 1,50 | 12,70 | 0,84 | 12 000 |
| 10 B-1 M7 | 15,875 | 9,65 | 10,16 | 28,70 | 24,25 | 5,30 | 16,25 | - | 1,50 | 15,87 | 1,10 | 14 200 |
| 12 B-1 M7 | 19,05 | 11,68 | 12,07 | 34,15 | 30,00 | 6,40 | 21,00 | - | 1,80 | 19,05 | 1,30 | 18 000 |
| 06 B-1 M8 | 9,525 | 5,72 | 6,35 | 17,80 | 12,30 | 3,20 | 9,10 | 8,65 | 1,00 | 9,53 | 0,50 | 5 350 |
| 08 B-1 M8 | 12,7 | 7,75 | 8,51 | 24,00 | 19,00 | 4,30 | 13,00 | 11,50 | 1,50 | 12,70 | 0,99 | 12 000 |
| 10 B-1 M8 | 15,875 | 9,65 | 10,16 | 28,70 | 24,25 | 5,30 | 16,25 | 13,50 | 1,50 | 15,87 | 1,30 | 14 200 |
| 12 B-1 M8 | 19,05 | 11,68 | 12,07 | 34,15 | 30,00 | 6,40 | 21,00 | 15,80 | 1,80 | 19,05 | 1,90 | 18 000 |

The plates M7, M8 position must be consulted with producer

SIMPLEX ROLLER CHAINS WITH ATTACHMENTS M7, M8

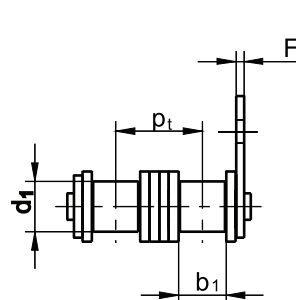
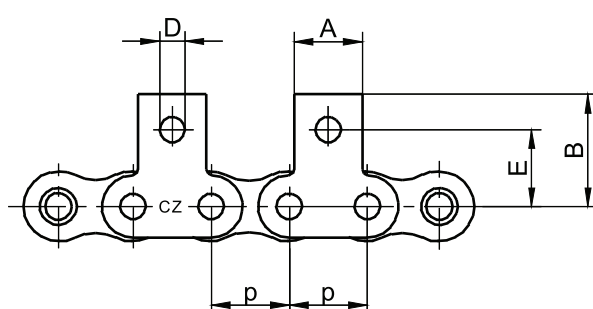
ČZ Standard

| TRADE MARK ČZ | PITCH | INSIDE WIDTH | ROLLER DIAMETER | DIMENSION | DIMENSION | ATTACHMENT HOLE DIAMETER | DIMENSION | DIMENSION | ATTACHMENT PLATE THICKNESS | ATTACHMENT HOLES DISTANCE | WEIGHT | BREAKING LOAD |
|----------------------|--------|--------------|-----------------|-----------|-----------|--------------------------|-----------|-----------|----------------------------|---------------------------|--------|---------------|
| | p | b1 min. | d1 max. | A | B | D | E | H | F | G | q | FB min. |
| | mm | mm | mm | mm | mm | mm | mm | mm | mm | mm | kg/m | N |
| 06 B-1 M7 | 9,525 | 5,72 | 6,35 | 17,80 | 12,30 | 3,20 | 9,10 | - | 1,00 | 9,53 | 0,45 | 9 345 |
| 1/2" x 3/16" V.T. M7 | 12,7 | 4,88 | 7,75 | 24,00 | 19,00 | 4,30 | 13,00 | - | 1,50 | 12,70 | 0,65 | 10 500 |
| 1/2" x 3/16" MOFA M7 | 12,7 | 4,88 | 7,75 | 24,00 | 19,00 | 4,30 | 13,00 | - | 1,50 | 12,70 | 0,65 | 15 750 |
| 086 M7 | 12,7 | 5,30 | 8,51 | 24,00 | 19,00 | 4,30 | 13,00 | - | 1,50 | 12,70 | 0,77 | 18 690 |
| 08 B-1 M7 | 12,7 | 7,75 | 8,51 | 24,00 | 19,00 | 4,30 | 13,00 | - | 1,50 | 12,70 | 0,84 | 18 690 |
| 10 B-1 M7 | 15,875 | 9,65 | 10,16 | 28,70 | 24,25 | 5,30 | 16,25 | - | 1,50 | 15,87 | 1,10 | 23 310 |
| 12 B-1 M7 | 19,05 | 11,68 | 12,07 | 34,15 | 30,00 | 6,40 | 21,00 | - | 1,80 | 19,05 | 1,30 | 30 345 |
| 16 B-1 M7 | 25,4 | 17,02 | 15,88 | 45,50 | 39,10 | 8,40 | 30,50 | - | 3,00 | 25,40 | 3,30 | 65 000 |
| 06 B-1 M8 | 9,525 | 5,72 | 6,35 | 17,80 | 12,30 | 3,20 | 9,10 | 8,65 | 1,00 | 9,53 | 0,50 | 9 345 |
| 1/2" x 3/16" V.T. M8 | 12,7 | 4,88 | 7,75 | 24,00 | 19,00 | 4,30 | 13,00 | 8,20 | 1,50 | 12,70 | 0,65 | 10 500 |
| 1/2" x 3/16" MOFA M8 | 12,7 | 4,88 | 7,75 | 24,00 | 19,00 | 4,30 | 13,00 | 8,20 | 1,50 | 12,70 | 0,65 | 15 750 |
| 086 M8 | 12,7 | 5,30 | 8,51 | 24,00 | 19,00 | 4,30 | 13,00 | 9,00 | 1,50 | 12,70 | 0,77 | 18 690 |
| 08 B-1 M8 | 12,7 | 7,75 | 8,51 | 24,00 | 19,00 | 4,30 | 13,00 | 11,50 | 1,50 | 12,70 | 0,99 | 18 690 |
| 10 B-1 M8 | 15,875 | 9,65 | 10,16 | 28,70 | 24,25 | 5,30 | 16,25 | 13,50 | 1,50 | 15,87 | 1,30 | 23 310 |
| 12 A-1 M8 | 19,05 | 12,70 | 11,91 | 34,15 | 30,00 | 6,40 | 21,00 | 18,00 | 1,80 | 19,05 | 2,00 | 30 345 |
| 12 B-1 M8 | 19,05 | 11,68 | 12,07 | 34,15 | 30,00 | 6,40 | 21,00 | 15,80 | 1,80 | 19,05 | 1,90 | 30 345 |
| 16 B-1 M8 | 25,4 | 17,02 | 15,88 | 45,50 | 39,10 | 8,40 | 30,50 | 25,80 | 3,00 | 25,40 | 3,94 | 65 000 |

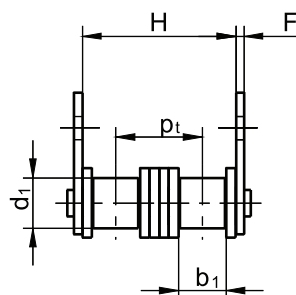
The plates M7, M8 position must be consulted with producer

DUPLEX ROLLER CHAINS WITH ATTACHMENTS M1, M2

ČZ Standard



TYPE M1



TYPE M2

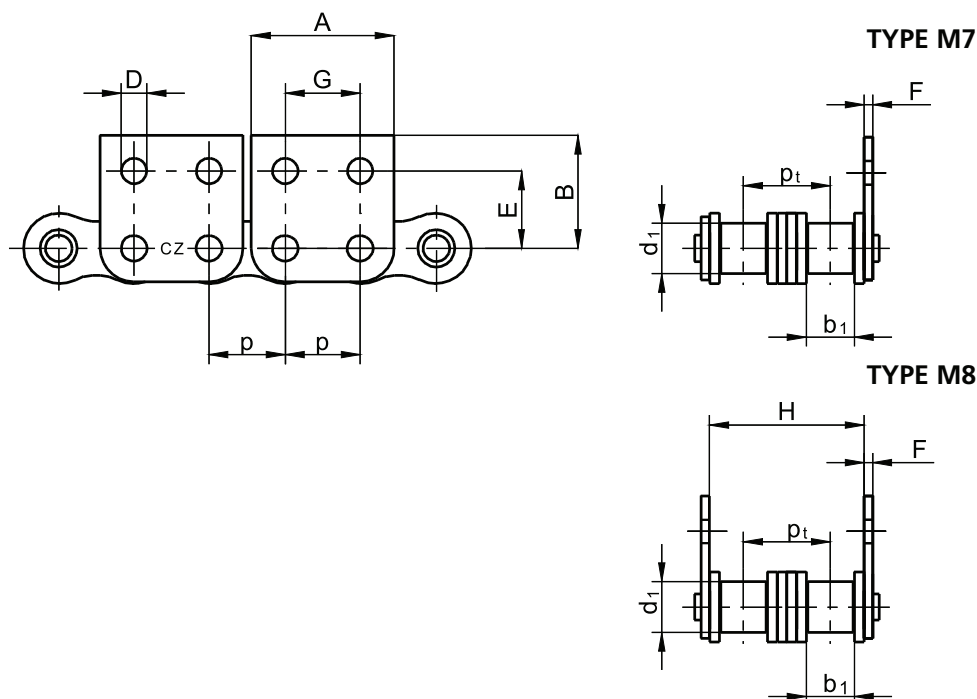
| TRADE MARK ČZ | PITCH | INSIDE WIDTH | ROLLER DIAMETER | DIMENSION | DIMENSION | ATTACHMENT HOLE DIAMETER | DIMENSION | DIMENSION | ATTACHMENT PLATE THICKNESS | TRANSVER. PITCH | BREAKING LOAD |
|------------------|--------|--------------|-----------------|-----------|-----------|--------------------------|-----------|-----------|----------------------------|-----------------|---------------|
| | p | b1 min. | d1 max. | A | B | D | E | H | F | pt | FB min. |
| | mm | mm | mm | mm | mm | mm | mm | mm | mm | mm | N |
| 06 B-2 M1+ | 9,525 | 5,72 | 6,35 | 8,00 | 13,60 | 3,20 | 9,10 | - | 1,00 | 10,24 | 17 745 |
| 06 B-2 M2+ | 9,525 | 5,72 | 6,35 | 8,00 | 13,60 | 3,20 | 9,10 | 19,00 | 1,00 | 10,24 | 17 745 |
| 08 B-2 M1 | 12,7 | 7,75 | 8,51 | 11,50 | 19,00 | 4,30 | 13,00 | - | 1,40 | 13,92 | 32 655 |
| 08 B-2 M2 | 12,7 | 7,75 | 8,51 | 11,50 | 19,00 | 4,30 | 13,00 | 25,45 | 1,40 | 13,92 | 32 655 |
| 10 B-2 M1 | 15,875 | 9,65 | 10,16 | 14,00 | 24,00 | 5,30 | 16,00 | - | 1,50 | 16,59 | 46 726 |
| 10 B-2 M2 | 15,875 | 9,65 | 10,16 | 14,00 | 24,00 | 5,30 | 16,00 | 30,00 | 1,50 | 16,59 | 46 726 |
| 12 B-2 M1 | 19,05 | 11,68 | 12,07 | 17,00 | 30,00 | 6,40 | 21,00 | - | 1,80 | 19,46 | 60 690 |
| 12 B-2 M2 | 19,05 | 11,68 | 12,07 | 17,00 | 30,00 | 6,40 | 21,00 | 35,35 | 1,80 | 19,46 | 60 690 |
| 16 B-2 M1 | 25,4 | 17,02 | 15,88 | 24,00 | 39,10 | 8,40 | 30,50 | - | 3,00 | 31,88 | 130 000 |
| 16 B-2 M2 | 25,4 | 17,02 | 15,88 | 24,00 | 39,10 | 8,40 | 30,50 | 57,80 | 3,00 | 31,88 | 130 000 |

+MIDDLE LINK PLATE CONTAINS ONE SOLID PLATE

The plates M1, M2 position must be consulted with producer

DUPLEX ROLLER CHAINS WITH ATTACHMENTS M7, M8

ČZ Standard



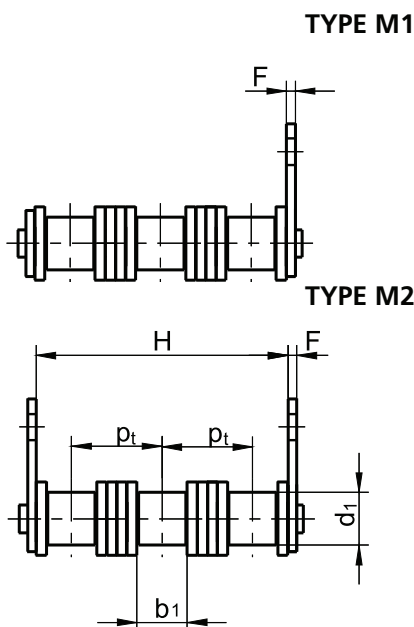
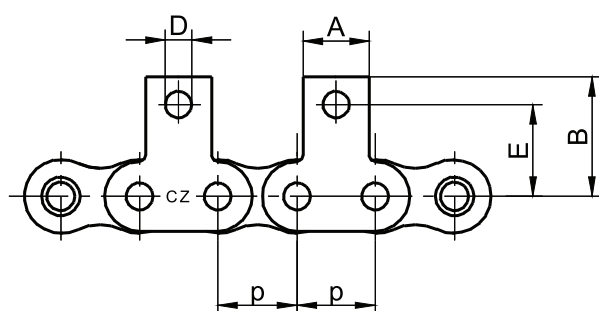
| TRADE MARK ČZ | PITCH | INSIDE WIDTH | ROLLER DIAMETER | DIMENSION | DIMENSION | ATTACHMENT HOLE DIAMETER | DIMENSION | DIMENSION | DIMENSION | ATTACHMENT PLATE THICKNESS | TRANSVER. PITCH | BREAKING LOAD |
|------------------|--------|---------------------|---------------------|-----------|-----------|--------------------------|-----------|-----------|-----------|----------------------------|-----------------|---------------|
| | p | b ₁ min. | d ₁ max. | A | B | D | G | E | H | F | pt | FB min. |
| | mm | mm | mm | mm | mm | mm | mm | mm | mm | mm | mm | N |
| 06 B-2 M7+ | 9,525 | 5,72 | 6,35 | 17,80 | 12,30 | 3,20 | 9,53 | 9,10 | - | 1,00 | 10,24 | 17 745 |
| 06 B-2 M8+ | 9,525 | 5,72 | 6,35 | 17,80 | 12,30 | 3,20 | 9,53 | 9,10 | 19,00 | 1,00 | 10,24 | 17 745 |
| 08 B-2 M7 | 12,7 | 7,75 | 8,51 | 24,00 | 19,00 | 4,30 | 12,70 | 13,00 | - | 1,50 | 13,92 | 32 655 |
| 08 B-2 M8 | 12,7 | 7,75 | 8,51 | 24,00 | 19,00 | 4,30 | 12,70 | 13,00 | 25,45 | 1,50 | 13,92 | 32 655 |
| 10 B-2 M7 | 15,875 | 9,65 | 10,16 | 28,70 | 24,25 | 5,30 | 15,87 | 16,25 | - | 1,50 | 16,59 | 46 726 |
| 10 B-2 M8 | 15,875 | 9,65 | 10,16 | 28,70 | 24,25 | 5,30 | 15,87 | 16,25 | 30,00 | 1,50 | 16,59 | 46 726 |
| 12 B-2 M7 | 19,05 | 11,68 | 12,07 | 34,15 | 30,00 | 6,40 | 19,05 | 21,00 | - | 1,80 | 19,46 | 60 690 |
| 12 B-2 M8 | 19,05 | 11,68 | 12,07 | 34,15 | 30,00 | 6,40 | 19,05 | 21,00 | 35,35 | 1,80 | 19,46 | 60 690 |
| 16 B-2 M7 | 25,4 | 17,02 | 15,88 | 45,50 | 39,10 | 8,40 | 25,40 | 30,50 | - | 3,00 | 31,88 | 130 000 |
| 16 B-2 M8 | 25,4 | 17,02 | 15,88 | 45,50 | 39,10 | 8,40 | 25,40 | 30,50 | 57,80 | 3,00 | 31,88 | 130 000 |

+ONLY WITH ONE MIDDLE PLATE

The plates M7, M8 position must be consulted with producer

TRIPLEX ROLLER CHAINS WITH ATTACHMENTS M1, M2

ČZ Standard



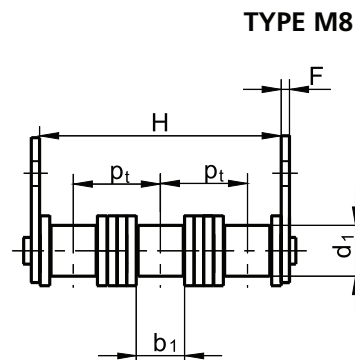
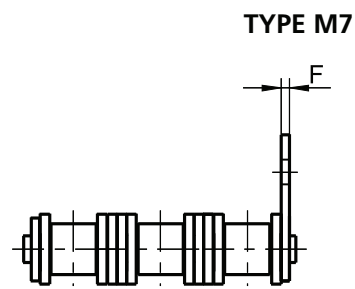
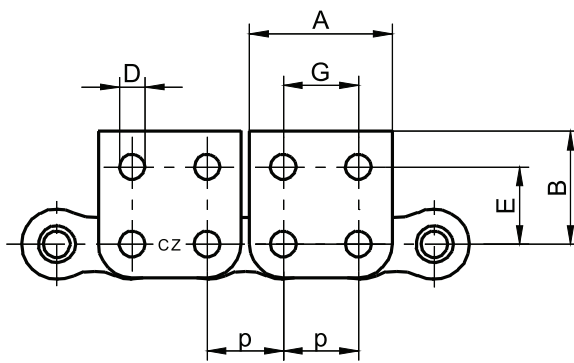
| TRADE MARK ČZ | PITCH | INSIDE WIDTH | ROLLER DIAMETER | DIMENSION | DIMENSION | ATTACHMENT HOLE DIAMETER | DIMENSION | DIMENSION | ATTACHMENT PLATE THICKNESS | TRANSVER. PITCH | BREAKING LOAD |
|------------------|--------|--------------|-----------------|-----------|-----------|--------------------------|-----------|-----------|----------------------------|-----------------|---------------|
| | p | b1 min. | d1 max. | A | B | D | H | E | F | pt | FB min. |
| | mm | mm | mm | mm | mm | mm | mm | mm | mm | mm | N |
| 06 B-3 M1+ | 9,525 | 5,72 | 6,35 | 8,00 | 13,60 | 3,20 | - | 9,10 | 1,00 | 10,24 | 26 145 |
| 06 B-3 M2+ | 9,525 | 5,72 | 6,35 | 8,00 | 13,60 | 3,20 | 29,15 | 9,10 | 1,00 | 10,24 | 26 145 |
| 08 B-3 M1 | 12,7 | 7,75 | 8,51 | 11,50 | 19,00 | 4,30 | - | 13,00 | 1,40 | 13,92 | 46 725 |
| 08 B-3 M2 | 12,7 | 7,75 | 8,51 | 11,50 | 19,00 | 4,30 | 39,25 | 13,00 | 1,40 | 13,92 | 46 725 |
| 10 B-3 M1 | 15,875 | 9,65 | 10,16 | 14,00 | 24,00 | 5,30 | - | 16,00 | 1,50 | 16,59 | 70 035 |
| 10 B-3 M2 | 15,875 | 9,65 | 10,16 | 14,00 | 24,00 | 5,30 | 46,60 | 16,00 | 1,50 | 16,59 | 70 035 |
| 12 B-3 M1 | 19,05 | 11,68 | 12,07 | 17,00 | 30,00 | 6,40 | - | 21,00 | 1,80 | 19,46 | 91 035 |
| 12 B-3 M2 | 19,05 | 11,68 | 12,07 | 17,00 | 30,00 | 6,40 | 54,70 | 21,00 | 1,80 | 19,46 | 91 035 |
| 16 B-3 M1 | 25,4 | 17,02 | 15,88 | 24,00 | 39,10 | 8,40 | - | 30,50 | 3,00 | 31,88 | 195 000 |
| 16 B-3 M2 | 25,4 | 17,02 | 15,88 | 24,00 | 39,10 | 8,40 | 87,80 | 30,50 | 3,00 | 31,88 | 195 000 |

+MIDDLE LINK PLATE CONTAINS ONE SOLID PLATE

The plates M1, M2 position must be consulted with producer

TRIPLEX ROLLER CHAINS WITH ATTACHMENTS M7, M8

ČZ Standard



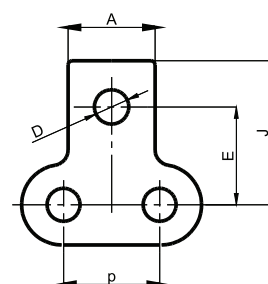
| TRADE MARK ČZ | PITCH | INSIDE WIDTH | ROLLER DIAMETER | DIMENSION | DIMENSION | ATTACHMENT HOLE DIAMETER | DIMENSION | DIMENSION | DIMENSION | ATTACHMENT PLATE THICKNESS | TRANSVER. PITCH | BREAKING LOAD |
|------------------|--------|--------------|-----------------|-----------|-----------|--------------------------|-----------|-----------|-----------|----------------------------|-----------------|---------------|
| | p | b1 min. | d1 max. | A | B | D | G | E | H | F | pt | FB min. |
| | mm | mm | mm | mm | mm | mm | mm | mm | mm | mm | mm | N |
| 08 B-3 M7 | 12,7 | 7,75 | 8,51 | 24,00 | 19,00 | 4,30 | 12,70 | 13,00 | - | 1,50 | 13,92 | 46 725 |
| 08 B-3 M8 | 12,7 | 7,75 | 8,51 | 24,00 | 19,00 | 4,30 | 12,70 | 13,00 | 39,25 | 1,50 | 13,92 | 46 725 |
| 10 B-3 M7 | 15,875 | 9,65 | 10,16 | 28,70 | 24,25 | 5,30 | 15,87 | 16,25 | - | 1,50 | 16,59 | 70 035 |
| 10 B-3 M8 | 15,875 | 9,65 | 10,16 | 28,70 | 24,25 | 5,30 | 15,87 | 16,25 | 46,60 | 1,50 | 16,59 | 70 035 |
| 12 B-3 M7 | 19,05 | 11,68 | 12,07 | 34,15 | 30,00 | 6,40 | 19,05 | 21,00 | - | 1,80 | 19,46 | 91 035 |
| 12 B-3 M8 | 19,05 | 11,68 | 12,07 | 34,15 | 30,00 | 6,40 | 19,05 | 21,00 | 54,70 | 1,80 | 19,46 | 91 035 |
| 16 B-3 M7 | 25,4 | 17,02 | 15,88 | 45,50 | 39,10 | 8,40 | 25,40 | 30,50 | - | 3,00 | 31,88 | 195 000 |
| 16 B-3 M8 | 25,4 | 17,02 | 15,88 | 45,50 | 39,10 | 8,40 | 25,40 | 30,50 | 89,60 | 3,00 | 31,88 | 195 000 |

The plates M7, M8 position must be consulted with producer

ATTACHMENTS

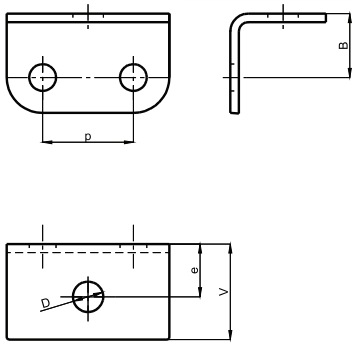
ČZ Standard

| FOR CHAIN | NOMINAL PITCH | DIMENSION | DIMENSION | DIMENSION | DIMENSION | PLATE |
|-----------|---------------|-----------|-----------|-----------|-----------|------------|
| | p | A | D | E | J | |
| 06 B | 9,525 | 8,00 | 4,50 | 9,10 | 13,60 | outer |
| 06 B | 9,525 | 8,00 | 4,50 | 9,10 | 13,60 | connecting |
| 08 B | 12,7 | 11,50 | 4,30 | 13,00 | 20,60 | inner |
| 08 B | 12,7 | 11,50 | 4,30 | 14,30 | 19,00 | outer |
| 08 B | 12,7 | 11,50 | 4,37 | 14,60 | 19,00 | outer |
| 08 B | 12,7 | 11,50 | 4,37 | 14,60 | 19,00 | connecting |
| 08 B | 12,7 | 11,50 | 4,55 | 13,00 | 19,00 | outer |
| 08 B | 12,7 | 11,50 | 4,55 | 13,40 | 19,00 | outer |
| 08 B | 12,7 | 11,50 | 5,00 | 13,00 | 19,00 | outer |
| 08 B | 12,7 | 11,50 | 6,40 | 13,00 | 19,00 | outer |
| 08 B | 12,7 | 11,50 | 6,40 | 13,00 | 19,00 | connecting |
| 10 B | 15,875 | 14,00 | 4,30 | 13,00 | 24,00 | outer |
| 10 B | 15,875 | 14,00 | 4,30 | 13,00 | 24,00 | connecting |
| 10 B | 15,875 | 14,00 | 4,99 | 16,70 | 19,00 | outer |
| 10 B | 15,875 | 14,00 | 4,99 | 16,70 | 19,00 | connecting |
| 10 B | 15,875 | 14,00 | 5,20 | 15,00 | 21,90 | outer |
| 10 B | 15,875 | 14,00 | 5,30 | 16,00 | 25,55 | inner |
| 12 A | 19,05 | 15,70 | 5,60 | 18,25 | 26,15 | outer |
| 12 A | 19,05 | 15,70 | 5,60 | 18,25 | 26,15 | inner |
| 12 B | 19,05 | 17,00 | 5,64 | 21,00 | 30,00 | outer |
| 12 B | 19,05 | 17,00 | 6,40 | 19,50 | 30,00 | outer |
| 12 B | 19,05 | 17,00 | 6,40 | 21,00 | 30,00 | inner |
| 12 B | 19,05 | 17,00 | 6,40 | 21,40 | 30,00 | inner |
| 12 B | 19,05 | 17,00 | 6,40 | 19,50 | 30,00 | connecting |
| 16 B | 25,4 | 24,00 | 8,40 | 27,50 | 36,90 | outer |
| 16 B | 25,4 | 24,00 | 8,40 | 27,50 | 36,90 | connecting |
| 16 B | 25,4 | 24,00 | 8,40 | 28,50 | 36,90 | outer |
| 16 B | 25,4 | 24,00 | 8,40 | 28,50 | 36,90 | connecting |
| 16 B | 25,4 | 24,00 | 8,40 | 28,20 | 39,10 | outer |
| 16 B | 25,4 | 24,00 | 8,40 | 28,20 | 39,10 | connecting |
| 16 B | 25,4 | 24,00 | 9,20 | 30,50 | 39,10 | outer |
| 16 B | 25,4 | 24,00 | 9,20 | 30,50 | 39,10 | connecting |

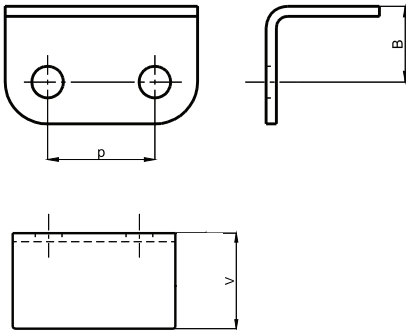


ATTACHMENTS

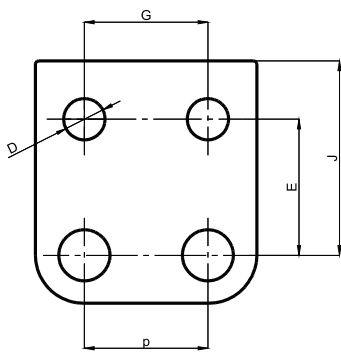
ČZ Standard



| FOR CHAIN | NOMINAL PITCH | DIMENSION | DIMENSION | DIMENSION | DIMENSION | PLATE |
|-----------|---------------|-----------|-----------|-----------|-----------|------------|
| | p | B | D | e | V | |
| 08 B | 12,7 | 8,90 | 6,40 | 8,30 | 13,00 | outer |
| 08 B | 12,7 | 8,90 | 6,40 | 8,30 | 13,00 | connecting |
| 10 B | 15,875 | 10,30 | 5,30 | 9,20 | 17,20 | outer |
| 12 B | 19,05 | 13,45 | 6,40 | 11,10 | 20,10 | outer |
| 12 B | 19,05 | 13,45 | 6,40 | 11,10 | 20,10 | connecting |
| 16 B | 25,4 | 20,20 | 8,20 | 16,00 | 24,60 | outer |



| FOR CHAIN | NOMINAL PITCH | DIMENSION | DIMENSION | PLATE |
|-----------|---------------|-----------|-----------|------------|
| | p | B | V | |
| 06 B | 9,525 | 6,50 | 7,90 | outer |
| 08 B | 12,7 | 8,90 | 13,00 | outer |
| 08 B | 12,7 | 8,90 | 13,00 | connecting |
| 08 B | 12,7 | 8,90 | 19,10 | outer |
| 12 B | 19,05 | 13,45 | 20,10 | outer |

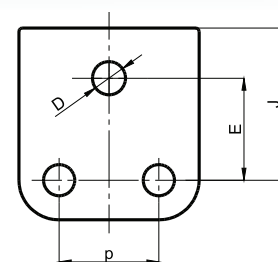


| FOR CHAIN | NOMINAL PITCH | DIMENSION | DIMENSION | DIMENSION | DIMENSION | PLATE |
|-----------|---------------|-----------|-----------|-----------|-----------|------------|
| | p | D | E | G | J | |
| 06 B | 9,525 | 3,20 | 9,10 | 9,41 | 12,30 | outer |
| 06 B | 9,525 | 3,20 | 9,10 | 9,41 | 12,30 | connecting |
| 08 B | 12,7 | 4,30 | 13,80 | 12,70 | 19,00 | outer |
| 08 B | 12,7 | 4,30 | 15,60 | 12,70 | 19,00 | inner |
| 10 B | 15,875 | 5,30 | 16,25 | 15,87 | 24,25 | inner |
| 10 B | 15,875 | 5,30 | 17,75 | 15,88 | 24,25 | outer |
| 10 B | 15,875 | 5,30 | 17,75 | 15,88 | 24,25 | connecting |
| 12 B | 19,05 | 5,30 | 21,00 | 19,05 | 27,20 | outer |
| 12 B | 19,05 | 5,64 | 21,00 | 19,05 | 30,00 | outer |
| 12 B | 19,05 | 6,40 | 21,00 | 19,05 | 30,00 | inner |
| 12 B | 19,05 | 6,40 | 23,00 | 19,05 | 30,00 | inner |

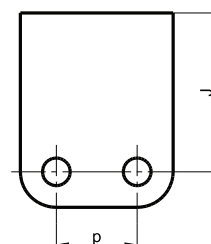
ATTACHMENTS

ČZ Standard

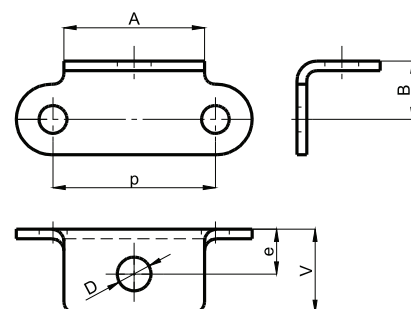
| FOR CHAIN | NOMINAL PITCH | DIMENSION | DIMENSION | DIMENSION | PLATE |
|-----------|---------------|-----------|-----------|-----------|-------|
| | p | D | E | J | |
| 08 B | 12,7 | 4,30 | 17,00 | 23,00 | outer |
| 08 B | 12,7 | 4,30 | 17,00 | 25,10 | outer |
| 08 B | 12,7 | 6,40 | 14,30 | 19,00 | outer |
| 10 B | 15,875 | 5,30 | 16,25 | 24,25 | outer |
| 16 B | 25,4 | 8,20 | 30,50 | 39,10 | outer |



| FOR CHAIN | NOMINAL PITCH | DIMENSION | PLATE |
|-----------|---------------|-----------|------------|
| | p | J | |
| 06 B | 9,525 | 8,10 | outer |
| 08 B | 12,7 | 19,00 | outer |
| 08 B | 12,7 | 25,10 | outer |
| 10 B | 15,875 | 24,25 | outer |
| 10 B | 15,875 | 24,25 | connecting |
| 10 B | 15,875 | 33,50 | outer |
| 12 B | 19,05 | 14,00 | outer |
| 12 B | 19,05 | 14,00 | inner |
| 12 B | 19,05 | 14,00 | connecting |
| 12 B | 19,05 | 24,30 | inner |
| 16 B | 25,4 | 39,10 | outer |



| FOR CHAIN | NOMINAL PITCH | DIMENSION | DIMENSION | DIMENSION | DIMENSION | DIMENSION | PLATE |
|-----------|---------------|-----------|-----------|-----------|-----------|-----------|-------|
| | p | A | B | D | e | V | |
| 208 B | 25,4 | 22,00 | 8,50 | 4,30 | 8,10 | 13,60 | outer |
| 208 B | 25,4 | 22,00 | 9,12 | 4,30 | 7,00 | 13,00 | outer |
| 208 B | 25,4 | 22,00 | 9,12 | 5,30 | 7,00 | 13,00 | outer |
| 210 B | 31,75 | 28,00 | 11,13 | 4,30 | 9,20 | 17,20 | outer |
| 210 B | 31,75 | 28,00 | 11,13 | 5,30 | 9,20 | 17,20 | outer |
| 212 B | 38,10 | 35,00 | 14,68 | 6,40 | 11,15 | 19,15 | outer |



| FOR CHAIN | NOMINAL PITCH | DIMENSION | DIMENSION | DIMENSION | DIMENSION | PLATE |
|-----------|---------------|-----------|-----------|-----------|-----------|-------|
| | p | A | D | E | J | |
| 208 B | 25,4 | 22,00 | 4,30 | 13,70 | 19,20 | outer |
| 208 B | 25,4 | 22,00 | 4,30 | 13,20 | 19,20 | outer |
| 208 B | 25,4 | 22,00 | 5,30 | 13,20 | 19,20 | outer |
| 212 B | 38,1 | 35,00 | 6,40 | 21,90 | 29,90 | outer |

